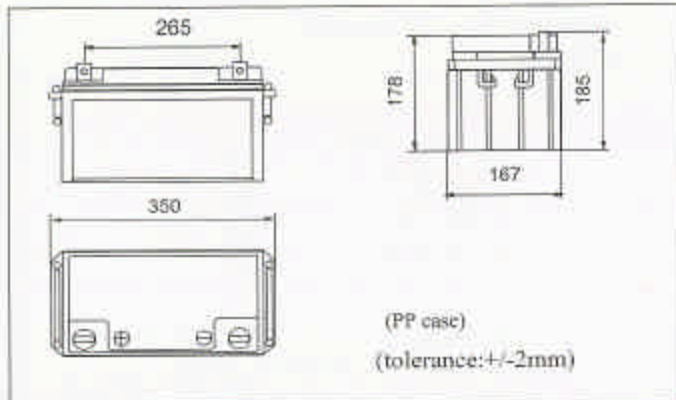


Major Application(s): Power Transmission & Transformer station etc.

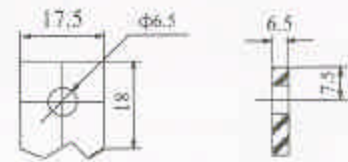
CE .RU MH 26335

### PHYSICAL SPECIFICATION

Nominal Voltage Nominal Capacity(10HR)		12V 65AH
Dimension	Length	350±2mm (13.78inches)
	Width	167±2mm (6.57 inches)
	Container Height	178±2mm (7.00inches)
	Total Height	185±2mm (7.28inches)
Weight		Approx 25.5Kg (56.2 lbs)
Standard Terminal		B3(Bolt & nuts Terminal) Bolt Type:M6



B3 ( Bolt-and-nut lead terminal)  
Bolt Type: M6



### ELECTRICAL SPECIFICATION

Capacity	20 hour rate(3.8A)	68.3Ah	<p>It is recommended to use constant-voltage charge and recharge immediately after use</p> <table border="1"> <tr> <td rowspan="2">Constant-Voltage Charge</td> <td>Cycle</td> <td>Initial Charging Current less than 16.3A Voltage 14.1V-14.4V at 25°C (77°F) Temperature Coefficient -18mV/°C</td> </tr> <tr> <td>Standby</td> <td>No limit on Initial Charging Current Voltage 13.5V-13.8V at 25°C (77°F) Temperature Coefficient -18mV/°C</td> </tr> </table>	Constant-Voltage Charge	Cycle	Initial Charging Current less than 16.3A Voltage 14.1V-14.4V at 25°C (77°F) Temperature Coefficient -18mV/°C	Standby	No limit on Initial Charging Current Voltage 13.5V-13.8V at 25°C (77°F) Temperature Coefficient -18mV/°C
	Constant-Voltage Charge	Cycle			Initial Charging Current less than 16.3A Voltage 14.1V-14.4V at 25°C (77°F) Temperature Coefficient -18mV/°C			
Standby		No limit on Initial Charging Current Voltage 13.5V-13.8V at 25°C (77°F) Temperature Coefficient -18mV/°C						
	10 hour rate(6.5A)	65Ah						
	5 hour rate(11.1A)	55.5Ah						
	3 hour rate(16.3A)	48.9Ah						
	1hour rate(39A)	39Ah						
Capacity affected by temperature	40°C (104°F)	102%						
	25°C (77°F)	100%						
	0°C (32°F)	85%						
Internal Resistance	Fully charged battery(25°C, 77°F)5mΩ							

