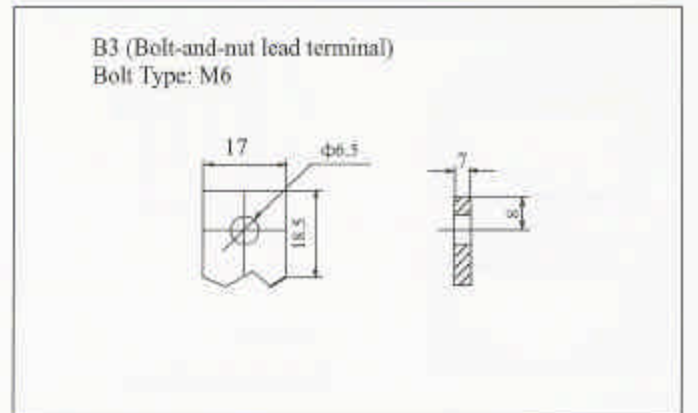
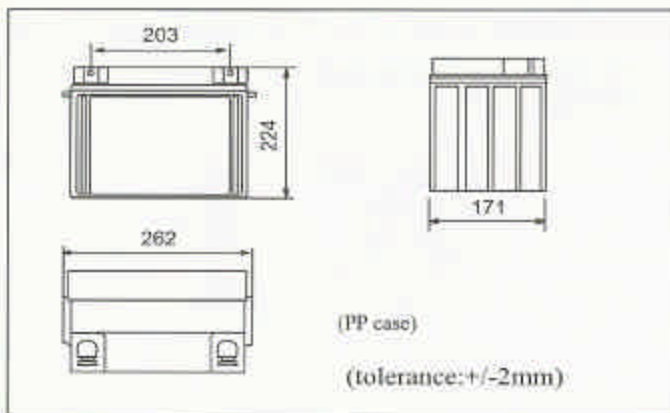


PHYSICAL SPECIFICATION

Nominal Voltage		12V
Nominal Capacity(10HR)		60AH
Dimension	Length	262±2mm (10.3inches)
	Width	171±2mm (6.73 inches)
	Container Height	224±2mm (8.82inches)
	Total Height	224±2mm (8.82inches)
Weight		Approx 22 Kg (48.5 lbs)
Standard Terminal		B3(Bolt & nuts Terminal) Bolt Type: M6



ELECTRICAL SPECIFICATION

Capacity	20 hour rate(3A)	63Ah	It is recommended to use constant-voltage charge and recharge immediately after use		
	10 hour rate(6A)	60Ah			
	5 hour rate(10.2A)	51Ah			
	3 hour rate(15A)	45Ah			
	1hour rate(36A)	36Ah			
Capacity affected by temperature	40°C (104°F)	102%	Constant-Voltage Charge	Cycle	Initial Charging Current less than 1.5A
	25°C (77°F)	100%			Voltage 14.1V-14.4V at 25°C (77°F)
	0°C (32°F)	85%	Standby	No limit on Initial Charging Current	
Internal Resistance	Fully charged battery(25°C, 77°F) 6mΩ	Voltage 13.5V-13.8V at 25°C (77°F)		Temperature Coefficient -18mV/°C	

