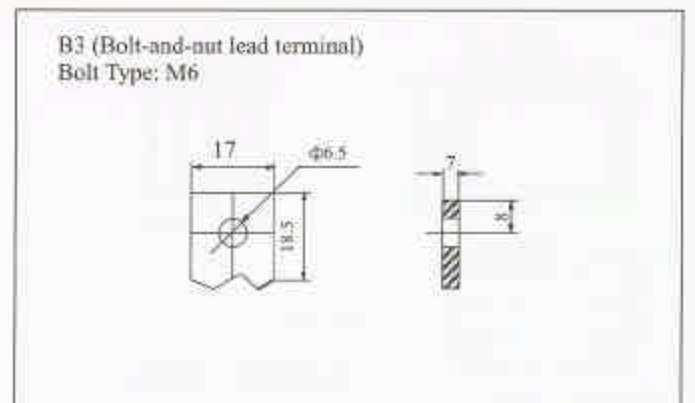
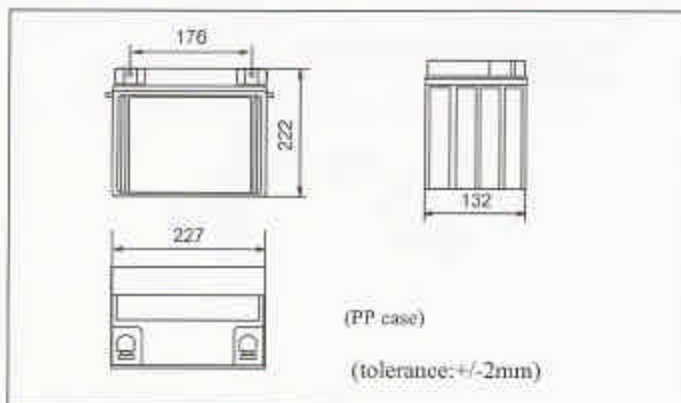


Major Application(s): Telephone switchboard etc.

CE  MH 26335

PHYSICAL SPECIFICATION

Nominal Voltage-Nominal Capacity(10HR)		12V 40AH
Dimension	Length	227±2mm (8.94inches)
	Width	132±2mm (5.20 inches)
	Container Height	222±2mm (8.74inches)
	Total Height	222±2mm (8.74inches)
Weight		Approx. 14.5Kg (31.9 lbs)
Standard Terminal		B3(Bolt & nuts Terminal) Bolt Type: M6



ELECTRICAL SPECIFICATION

Capacity	20 hour rate(2A)	42Ah	It is recommended to use constant-voltage charge and recharge immediately after use		
	10 hour rate(4A)	40Ah			
	5 hour rate(6.8A)	34Ah			
	3 hour rate(10A)	30Ah			
	1hour rate(24A)	24Ah			
Capacity affected by temperature	40°C (104°F)	102%	Constant-Voltage Charge	Cycle	Initial Charging Current less than 10A Voltage 14.1V-14.4V at 25°C (77°F) Temperature Coefficient -18mV/°C
	25°C (77°F)	100%			
	0°C (32°F)	85%	Standby	No limit on Initial Charging Current Voltage 13.5V-13.8V at 25°C (77°F) Temperature Coefficient -18mV/°C	
Internal Resistance	Fully charged battery(25°C, 77°F)7mΩ				

