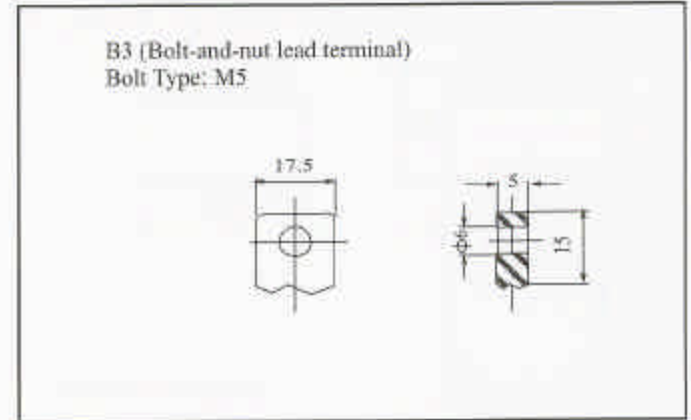
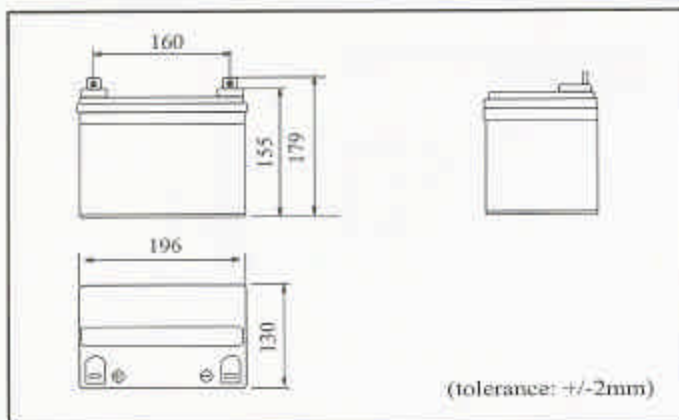


### PHYSICAL SPECIFICATION

Nominal Voltage		12V
Nominal Capacity(10HR)		34AH
Dimension	Length	196±2mm (7.72inches)
	Width	130±2mm (5.12 inches)
	Container Height	155±2mm (6.10 inches)
	Total Height	179±2mm (7.05inches)
Weight		Approx 11.5Kg (25.3 lbs)
Standard Terminal		B3(Bolt & nuts Terminal) Bolt Type: M5



### ELECTRICAL SPECIFICATION

Capacity	20 hour rate(1.7A)	35.7Ah	It is recommended to use constant-voltage charge and recharge immediately after use.		
	10 hour rate(3.4A)	34Ah			
	5 hour rate(5.8A)	29Ah			
	3 hour rate(8.5A)	25.5Ah			
	1 hour rate(20.4A)	20.4Ah			
Capacity affected by temperature	40°C (104°F)	102%	Constant-Voltage Charge	Cycle	Initial Charging Current less than 8.5A
	25°C (77°F)	100%			Voltage 14.1V-14.4V at 25°C (77°F)
	0°C (32°F)	85%	Standby	No limit on Initial Charging Current	
Internal Resistance	Fully charged battery(25°C, 77°F)9mΩ	Voltage 13.5V-13.8V at 25°C (77°F)			
					Temperature Coefficient -18mV/°C

