



FIAMM



FIAMM's **Monolite 12FAT75** valve-regulated, lead-acid battery is specifically designed to meet and exceed the exacting specifications of the Telecommunications industry. This "purpose-built" design philosophy, coupled with industry-leading manufacturing technology, ensures product consistency and reliable performance in a battery ideally suited to Telecommunications applications:

- 12-year plus design life
- Has passed the stringent Telcordia (Bellcore) 10-year accelerated life tests
- Good Energy Density
- Good Low-Rate Performance
- Easy Handling and Installation
- Safe Operation and Ease of Testing
- No Water Addition Needed

The FIAMM **Monolite 12FAT75** battery has a proven track record of exceptional performance in many parts of the network. With its front-terminal design, it is ideally suited for either roll-out trays or fixed-shelf systems in Remote Terminals cabinets, Huts, CEV's, and Central Offices.

Monolite

Model 12 FAT 75

12-volt, 75 Ah

DESIGN FEATURES

- ▶ **Plates and Grids:** extra-thick plates with grids cast from high purity lead-calcium-tin alloy ensure long and reliable life
- ▶ **Separator:** microporous glass mat facilitates recombination and immobilizes the electrolyte
- ▶ **Internal Connections:** heavy-duty internal straps and through-the-partition cell connections minimize internal resistance for increased energy density
- ▶ **Terminals:** threaded post terminals with brass inserts provide for high conductivity and maximum torque retention
- ▶ **Post Seals:** state-of-the-art post seals prevent seepage over a wide temperature range
- ▶ **Safety Valve:** each cell has its own one-way valve that opens at 5 psi and closes at 3 psi to allow excess gas to escape in case of over-charging
- ▶ **Flame Arrestor:** lets excess gas out while preventing any errant spark or flame from entering the battery
- ▶ **Container and Cover:** made from thick-walled ABS plastic and designed for unsurpassed mechanical strength, the cases and covers have an LOI greater than 28% and meet the flame retardancy standards of UL 94 V-0

STANDARDS COMPLIANCE

The 12FAT75 meets the requirements of the following industry standards:

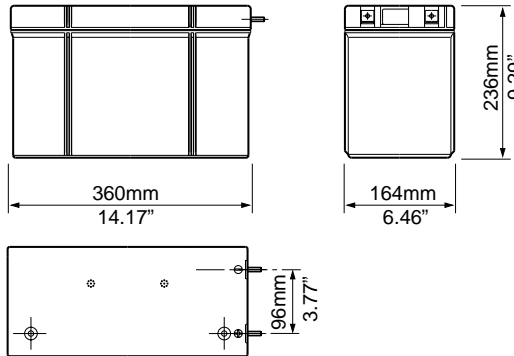
- ▶ ANSI T1.330-1997
- ▶ British Standard BS 6290 Part 4
- ▶ British Standard 6334 method FV0
- ▶ Eurobat Guide - 12 years and longer "long life"
- ▶ IEC 707 FV0
- ▶ IEC 896 Part 2
- ▶ Telcordia (Bellcore) SR-4228
- ▶ Telcordia (Bellcore) TR-NWT-000766
- ▶ Telcordia (Bellcore) TR-NWT-000909
- ▶ Telcordia (Bellcore) TR-NWT-001200
- ▶ UL 1778
- ▶ UL 94 Class V-0
- ▶ UL Recognized

Telecommunications Standby Batteries



Monolite Model 12 FAT 75

1394796
07.02



DISCHARGE AMPERES FOR 12 FAT 75 AT 77°F (25°C)

V/cell	HOURS										
	1	2	3	4	5	6	7	8	10	12	20
1.65	50.9	28.6	20.5	16.3	13.6	11.9	10.5	9.43	7.77	6.54	4.11
1.70	50.2	28.3	20.5	16.3	13.6	11.8	10.5	9.40	7.75	6.52	4.10
1.75	48.9	27.8	20.3	16.2	13.5	11.8	10.4	9.35	7.69	6.48	4.07
1.80	47.7	27.1	20.1	16.0	13.4	11.7	10.3	9.28	7.62	6.44	4.03
1.85	46.2	26.1	18.8	14.9	12.6	11.1	9.83	8.83	7.29	6.16	3.87
1.88	44.6	25.4	18.2	14.4	12.1	10.5	9.30	8.29	6.82	5.75	3.60

DISCHARGE WATTS PER CELL FOR 12 FAT 75 AT 77°F (25°C)

V/cell	HOURS										
	1	2	3	4	5	6	7	8	10	12	20
1.65	93.6	53.4	39.1	31.3	26.2	22.8	20.2	18.1	14.9	12.6	7.88
1.70	93.5	53.4	39.1	31.2	26.2	22.8	20.2	18.1	14.9	12.6	7.87
1.75	92.5	53.1	39.1	31.2	26.2	22.8	20.2	18.1	14.9	12.6	7.87
1.80	91.5	52.5	39.0	31.2	26.2	22.8	20.2	18.1	14.8	12.5	7.86
1.85	89.9	51.4	37.1	29.4	24.8	21.8	19.4	17.4	14.4	12.2	7.65
1.88	87.6	50.2	36.0	28.6	24.1	20.9	18.5	16.5	13.5	11.4	7.15

TECHNICAL SPECIFICATIONS

- ▶ **Capacities:** 75 AH at C8 to 1.75 VPC at 25°C
- ▶ **Recommended Float Voltage:** 13.56 V at 25°C
- ▶ **Temperature Compensation:** -15mV/°C
- ▶ **Maximum Charge Current:** 19 A
- ▶ **Self-Discharge at 77°F (25°C):** <2% per month
- ▶ **Short Circuit Current:** 3000 A
- ▶ **Internal Resistance:** 4 mohm
- ▶ **Weight:** 70.99 lb. (32.2 kg)
- ▶ **Terminals:** M8
- ▶ **Terminal Torque:** 65-70 in. lbs (7.3-8.0 Nm)



FIAMM
www.fiammamerica.com

FIAMM Technologies, Inc.
One FIAMM Way
Waynesboro, GA 30830
Tel. 888-77-FIAMM (888-773-4266)